

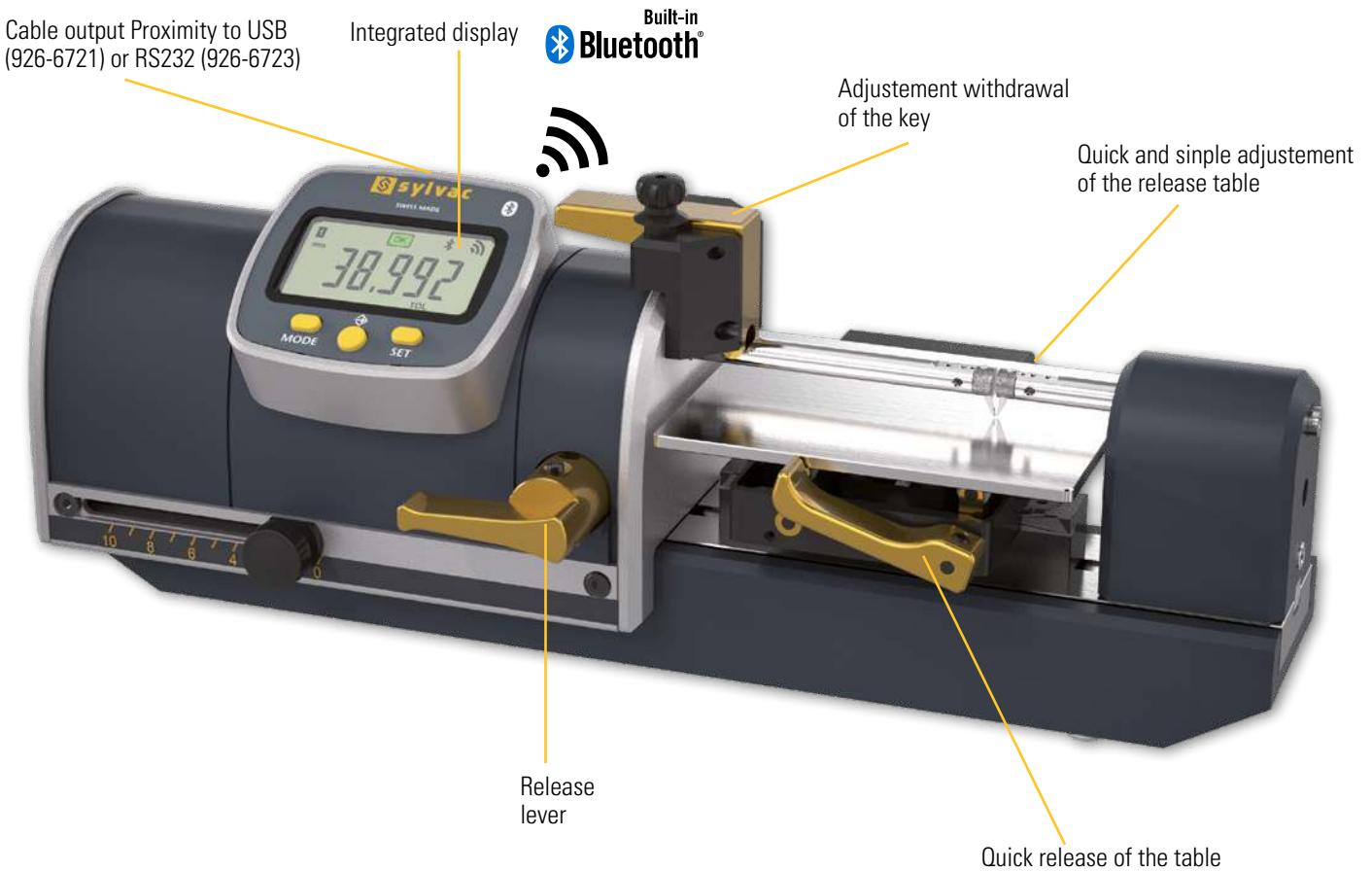
# Bench table

# PS16 V2 Goutte

## DESCRIPTION

## SMART

- Measuring bench similar to the PS16 V2 bench but equipped with a table and anvils set specially designed to measure small pivots (called drops in the watch industry) on watch plates.
- Equipped with height-adjustable table, quick-release lever and key removal system
- Delivered complete and ready to use for this particular application



**SWISS MADE**

Built-in **Bluetooth**

**USB**

**PROXIMITY**

**WATER RESISTANT**

**IP67**

Cable output mini-USB to USB (926-6001)

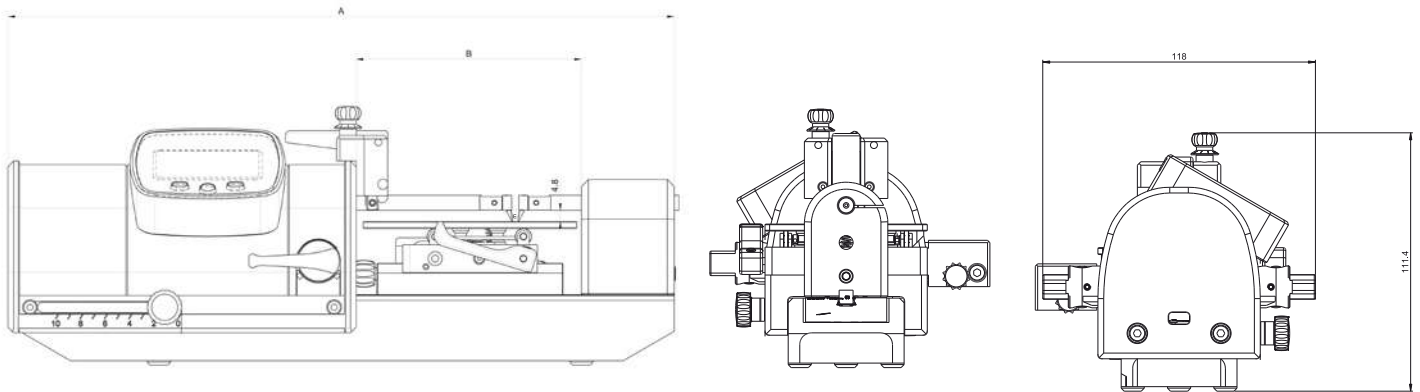


# Bench table

# PS16 V2 Goutte

## DIMENSIONAL DRAWINGS

## SMART



## TECHNICAL SPECIFICATIONS

External measurement		808-5213	808-5413
Max. Capacity C	mm	25	50
Quick clearance	mm	7	7
Measuring range E	mm	3	3
Resolution	µm	0.1	0.1
Max. Error	µm	2.5	3.5
Repeatability	µm	0.5	0.5
Table dimensions (lxL)	mm	58x70	92x70
Measuring force (Adjustable)	N	0.1 - 0.6 <sup>1)</sup>	
Weight	kg	4.0	4.7
Output data		Bluetooth® wireless technology* / RS232 / USB	
A	mm	232	287
B	mm	66	97

<sup>1)</sup> ± 20%

## STANDARD DELIVERY

- Instrument according to technical specifications
- Lithium battery CR2477 included
- Adapter for Lithium battery CR2032
- Instruction manual
- Calibration certificate
- Table and anvils according to specification
- Dust cover