

# Professional micrometer

# S\_Mike EVO

## DESCRIPTION

CYLINDRICAL Ø6.5

- New rotating spindle micrometer with integrated Bluetooth® system
- Spindle feed rate 1 mm per revolution
- Tungsten carbide measuring anvils Ø 6.5 mm
- Large XXL display with 0.001 mm resolution
- Measuring force 7-10N
- Measuring range up to 100mm
- Protection class IP67

D

Measuring surface in hard metal

Rotating spindle Ø 6.5 mm

Fast handle movement



Output Bluetooth® Wireless technology

Simple and friendly functions

\* instrument soon available

**DIN 863**

Built-in  
**Bluetooth**

**SIS** Smart Inductive System

WATER RESISTANT

**IP67**

Mounting unit (on request)



\* SIS description on page 5

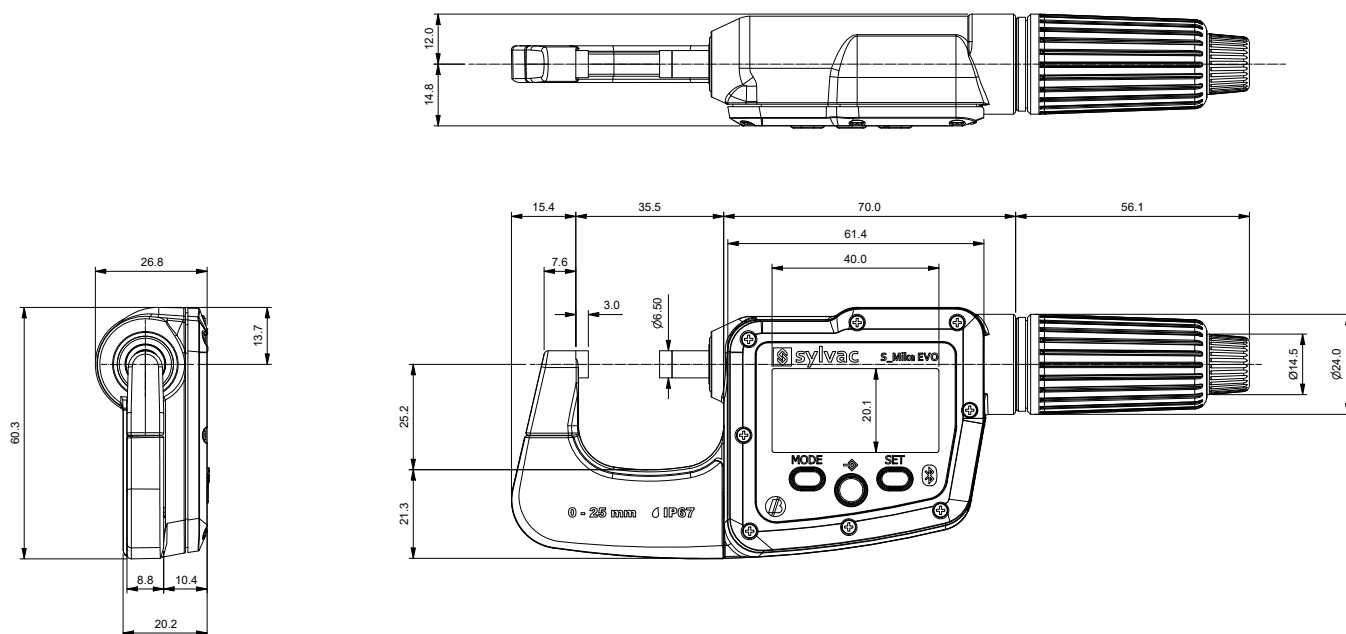


# Professional micrometer

# S\_Mike EVO

## DIMENSIONAL DRAWING

## CYLINDRICAL Ø6.5



## TECHNICAL SPECIFICATIONS

		803-6025	803-6050	803-6075	803-6100
Measuring range	mm	0-25	25-50	50-75	75-100
Max. Error MPE <sub>J</sub> <sup>1)</sup>	µm	2	2	3	3
Repeatability <sup>2)</sup>	µm	1	1	1	2
Anvils types		Ø6.5			
L	mm	35.5	61	86	112
B	mm	7.5	11	12	13
C	mm	25	37	50	63
D	mm	3	3	3	3
Output data		Bluetooth® wireless technology*			
Prot. rating accor. to IEC 60529		IP67 even connected			
Setting by PC		●			
Measuring force		7-10N			
Rotating spindle		●			
Advance		1mm/rotation			
Preset function		●			
Smart Inductive Sensor		●			

<sup>1)</sup> according to DIN 863 / ISO 3611

<sup>2)</sup> ± 1 digit

<sup>3)</sup> see cables chapter

\* Up to 8 instruments connected per dongle #981-7100