

# Mini digital indicators

# S\_Dial Mini

## DESCRIPTION

- Compact, small diameter (Ø45 mm)
- Water and coolant resistant, protection rating IP54 or IP67 according to IEC 60529 (depends on model)
- Data output RS 232 combined with external power supply and Bluetooth® (depends on model)
- Interchangeable contact point M2.5
- Clamping stem Ø 8-h6 of hardened and ground stainless steel. Dovetail back
- Automatic power shut down



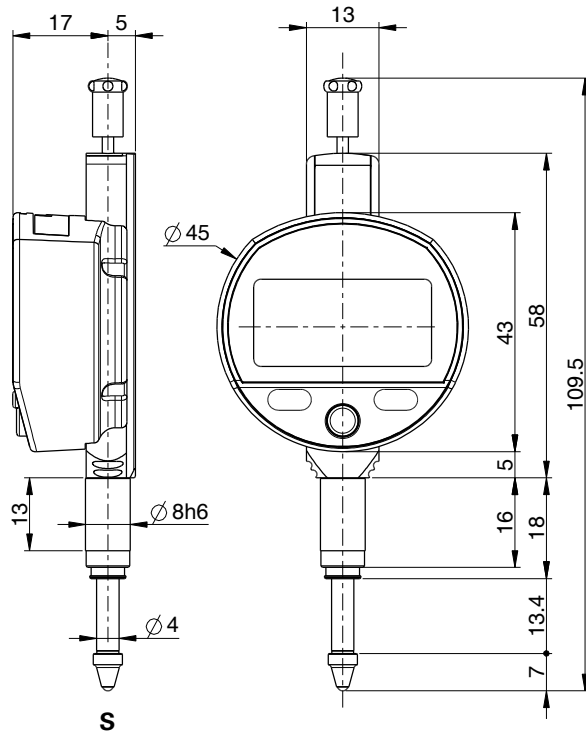
B

# Mini digital indicators

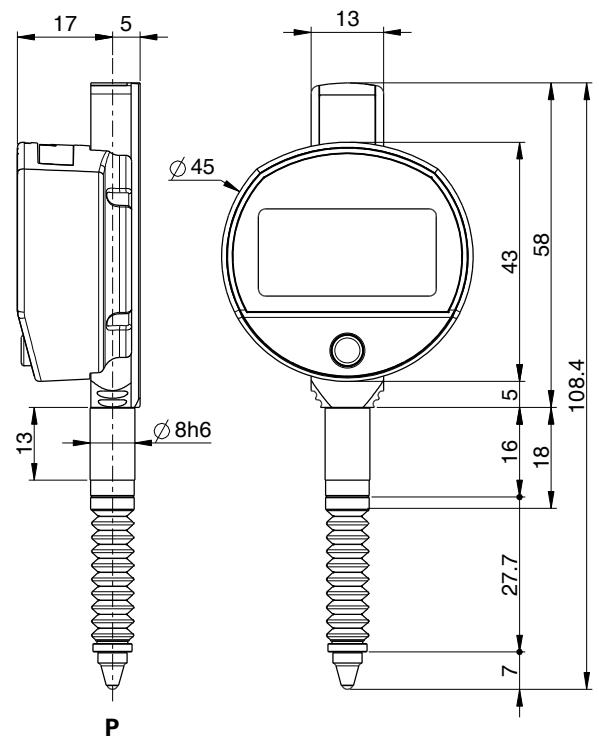
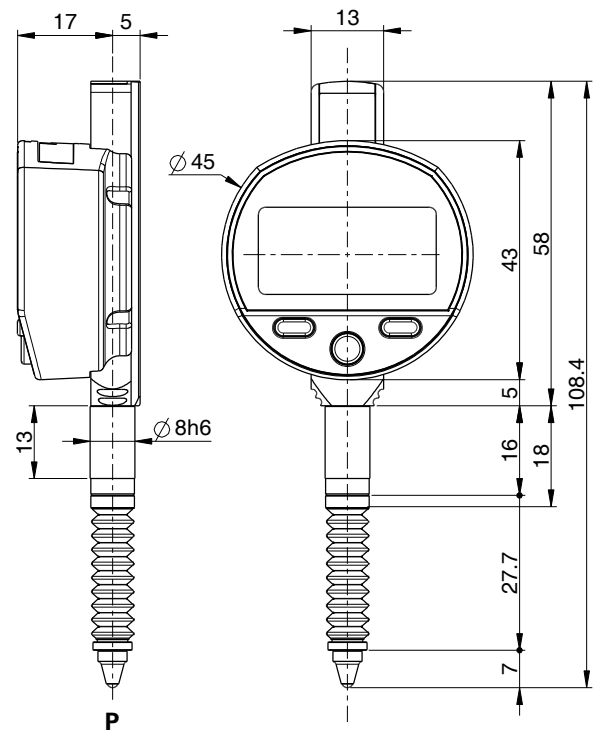
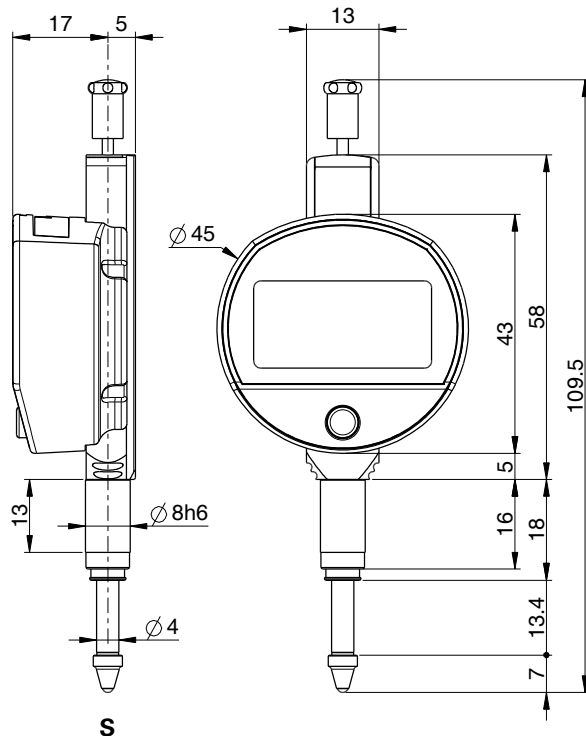
# S\_Dial Mini

## DIMENSIONAL DRAWINGS

### Smart



### Basic



S = standard

P = protected

# Mini digital indicators

# S\_Dial Mini

## TECHNICAL SPECIFICATIONS

B

Basic		805.4121	805.4125	805.4521	805.4525
Measuring range	mm	12.5	12.5	12.5	12.5
Analog scale		---	---	---	---
Resolution	mm	0.01	0.01	0.001	0.001
Execution <sup>3)</sup>		S	P	S	P
Max. Error fe	µm	10 <sup>1)</sup>	10 <sup>1)</sup>	4	4
Repeatability	µm	2	2	2	2
Measuring force <sup>2)</sup>	N	0.5 - 0.90 N	0.6 - 1.3 N	0.5 - 0.90 N	0.6 - 1.3 N
Zero setting				●	
Resolution selection				---	
PRESET = (max. ±999.99 mm)				---	
Min / max / delta display				---	
Selection of measuring direction				---	
Multiplication factor				---	
Output data				USB / RS232 <sup>4)</sup>	
IP rating		IP54	IP67	IP54	IP67

Smart		805.6121	805.6125	805.6521	805.6525
Measuring range	mm	12.5	12.5	12.5	12.5
Analog scale		●	●	●	●
Resolution	mm	0.01	0.01	0.001	0.001
Execution <sup>3)</sup>		S	P	S	P
Max. Error fe	µm	10 <sup>1)</sup>	10 <sup>1)</sup>	4	4
Repeatability	µm	2	2	2	2
Measuring force <sup>2)</sup>	N	0.5 - 0.90 N	0.6 - 1.3 N	0.5 - 0.90 N	0.6 - 1.3 N
Zero setting				●	
Resolution selection				●	
PRESET = (max. ±999.99 mm)				●	
Min / max / delta display				●	
Selection of measuring direction				●	
Multiplication factor				●	
Output data		Bluetooth® wireless technology* / RS232 / USB <sup>4)</sup>			
IP rating		IP67	IP67	IP67	IP67

**\* Up to 8 instruments connected per dongle #981.7100**  
**More informations on How to use Bluetooth® leaflet SYL\_1401\_EN\_BT**

<sup>1)</sup> ± 1 digit

<sup>2)</sup> Values ± 20%, indicator in vertical position, outgoing measuring spindle

<sup>3)</sup> S = Standard P = Protected

<sup>4)</sup> see cables chapter

# Mini digital indicators

# S\_Dial Mini

## STANDARD DELIVERY

- Instrument according to technical specifications
- Lithium battery CR2032 included
- Instruction manual
- Calibration certificate for instruments with resolution 0.001 mm

B

## MEASURING FORCE FOR RANGE 12.5 mm

	S	P
Standard	0.5 - 0.90 N	0.6 - 1.3 N
Low <sup>1)</sup>	0.35 - 0.50 N	---
High <sup>1)</sup>	1.80 - 2.3 N	---

Tolerance  $\pm 20\%$ , indicator in vertical position, spindle in outgoing measurement.

<sup>1)</sup> on request

## APPLICATIONS



Checking of an internal  $\varnothing$  with a mechanical device



Measurement of the vertical displacement of an element



Measurement of internal chamfer