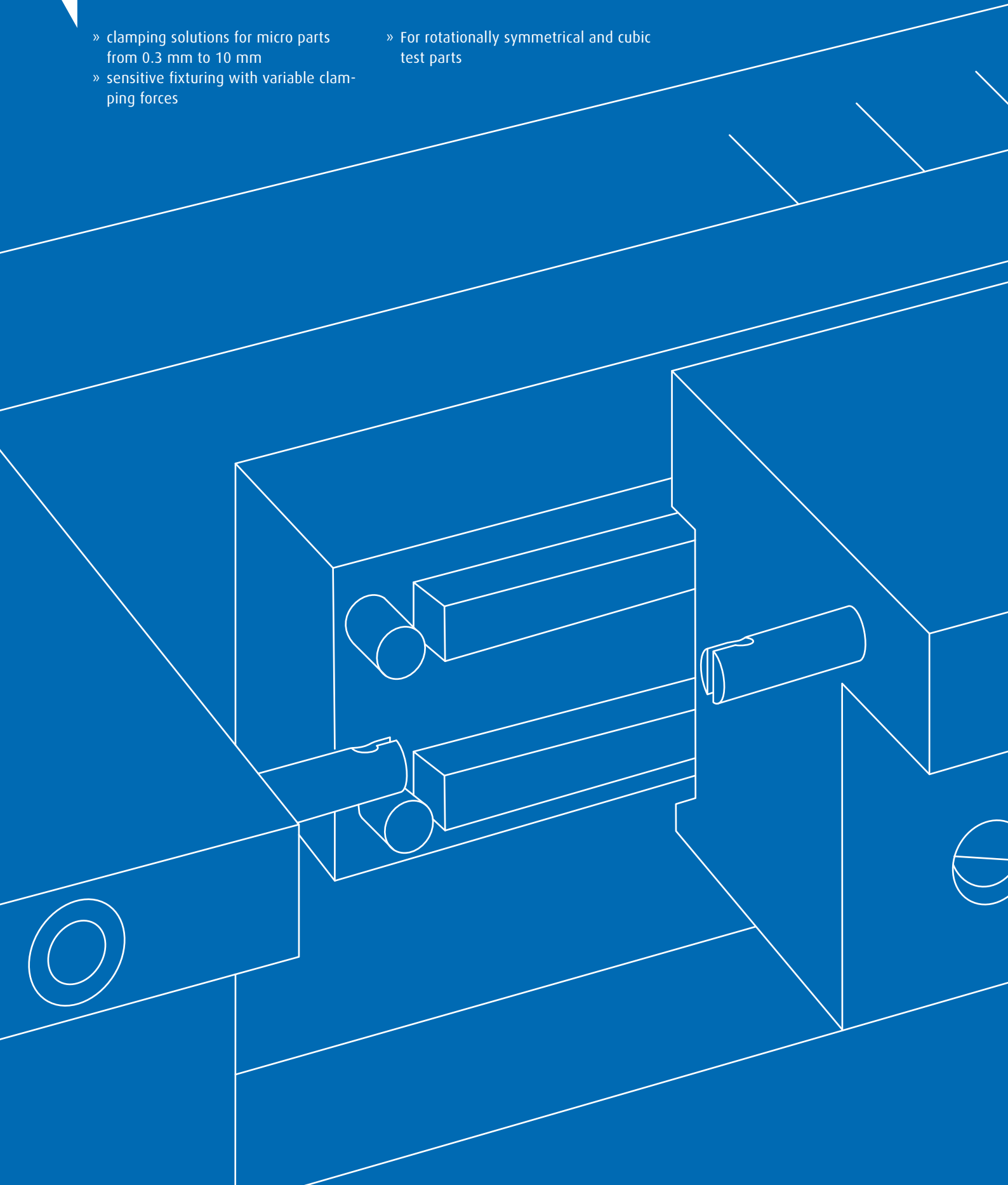


MICROFIX

- » clamping solutions for micro parts from 0.3 mm to 10 mm
- » sensitive fixturing with variable clamping forces
- » For rotationally symmetrical and cubic test parts



Product group

Product name

Page

Clamping elements



Clamping elements

Micro fixture for cubic parts	216
"V-block" micro fixture	216
Micro tailstock	217

Micro fixture for cubic parts

Description

For measuring cubic parts by means of a constant and adjustable clamping force. The clamping force is generated by the slanting flat and can be changed to suit by adding balls. To ensure that test parts are gripped securely even when weak clamping forces are required, it is possible to adjust the fixed clamping jaw using adjustable stop units. The movable part of the fixture is fitted with a pendulum jaw.



Example application



Order number	Clamping range	Length	Width	Height	Jaw width	Scope of delivery
398030	< 0.3-10	85	60	30	6	10 steel balls

"V-block" micro fixture

Description

For measuring rotationally symmetrical test parts having a diameter of 0.5 to 6 mm or up to 10 mm with accessories. The fixturing force is adjustable and exerted by several micro springs.

Accessories

Interchangeable plates (398035) which allow the clamping range for rotationally symmetrical test parts to be increased to 5 mm and up to 10 mm.



Example application



Order number	Clamping range	Length	Width	Height	Jaw width
398032	< 0.5-6	85	60	32	10

Micro tailstock

Description

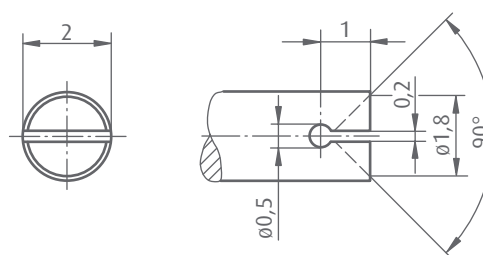
For measuring rotationally symmetrical test parts. The test pieces can be measured along their whole length because they are mounted between hollow centres which have measurement slots. Adjustable fixturing force. The clamping range can be increased freely up to a maximum of 25 mm.

Scope of delivery

Includes hollow mounting centres (see technical drawing).

Accessories

60° tailstock centres (398060).



Order number	Centre height	Length	Width	Height	Version	Fig.
398050	27	85	37	30	-	
398052	37	90	60	40	with mounting plate	1

